



# IA82050

## Asynchronous Serial Controller

---

### Data Sheet

Copyright © 2008 by Innovasic Semiconductor, Inc.

Published by Innovasic Semiconductor, Inc.  
3737 Princeton Drive NE, Suite 130, Albuquerque, NM 87107

Intel® is a registered trademark of Intel Corporation  
MILES™ is a trademark of Innovasic Semiconductor, Inc.

## TABLE OF CONTENTS

|   |    |
|---|----|
| List of Figures .....   | 4  |
| List of Tables .....  | 4  |
| 1. Features .....   | 5  |
| 2. Description .....  | 7  |
| 3. Functional Overview .....  | 9  |
| 3.1 Transmitter .....   | 9  |
| 3.2 Receiver .....  | 9  |
| 3.3 Bus Interface .....   | 9  |
| 3.4 Register Description .....                                      | 10 |
| 4. Register Descriptions .....                                      | 11 |
| 4.1 Baud Rate Generator A Divide Count, MSB and LSB (BAH/BAL) ..... | 11 |
| 4.2 General Interrupt Enable Register (GER) .....                   | 11 |
| 4.3 General Interrupt Register (GIR) .....                          | 11 |
| 4.4 Line Configure Register (LCR) .....                             | 11 |
| 4.5 Line Status Register (LSR) .....                                | 12 |
| 4.6 Modem Control Register (MCR) .....                              | 12 |
| 4.7 Modem Status Register (MSR) .....                               | 13 |
| 4.8 Receive Data Register (RXDATA) .....                            | 13 |
| 4.9 Scratch Register (SCR) .....                                    | 13 |
| 4.10 Transmit Data Register (TXDATA) .....                          | 14 |
| 5. AC/DC Parameters .....   | 15 |
| 6. DC Characteristics .....   | 16 |
| 7. AC Characteristics .....   | 17 |
| 8. Packaging Information .....                                      | 18 |
| 8.1 PDIP Package .....  | 18 |
| 8.2 PLCC Package .....  | 19 |
| 9. Innovasic Part Number Cross-Reference .....                      | 20 |
| 10. Revision History .....  | 21 |
| 11. For Additional Information .....                                | 22 |

## LIST OF FIGURES

|  |    |
|--|----|
| Figure 1. Package Pinout .....                   | 6  |
| Figure 2. Functional Block Diagram .....         | 8  |
| Figure 3. PDW Physical Package Dimensions .....  | 18 |
| Figure 4. PLCC Physical Package Dimensions ..... | 19 |

## LIST OF TABLES

|  |    |
|--|----|
| Table 1. Register Summary.....                                     | 10 |
| Table 2. General Interrupt Enable Register .....                   | 11 |
| Table 3. General Interrupt Register .....                          | 11 |
| Table 4. Line Configure Register.....                              | 12 |
| Table 5. Line Status Register.....                                 | 12 |
| Table 6. Modem Control Register .....                              | 13 |
| Table 7. Modem Status Register.....                                | 13 |
| Table 8. AC/DC Parameters .....                                    | 15 |
| Table 9. DC Characteristics .....                                  | 16 |
| Table 10. AC Characteristics .....                                 | 17 |
| Table 11. Innovasic Part Number Cross-Reference for the PDIP ..... | 20 |
| Table 12. Innovasic Part Number Cross-Reference for the PLCC ..... | 20 |

## 1. Features

- Form, Fit and Function Compatible with the Intel® 82050
- Packaging options available: 28-Pin Plastic DIP and 28-Lead Plastic Leaded Chip Carrier (see Figure 1, Package Pinout)
- Asynchronous Serial Channel Operation
- Separate Transmit and Receive FIFOs with Programmable Threshold
- Programmable Baud Rate Generator up to 288K Baud
- Special Protocol Features
  - Loopback Modes
  - 5- to 8-Bit Character Format

The IA82050 is a "plug-and-play" drop-in replacement for the original IC. Innovasic produces replacement ICs using its MILES™, or Managed IC Lifetime Extension System, cloning technology. This technology produces replacement ICs far more complex than "emulation" while ensuring they are compatible with the original IC. MILES™ captures the design of a clone so it can be produced even as silicon technology advances. MILES™ also verifies the clone against the original IC so that even the "undocumented features" are duplicated. This data sheet documents all necessary engineering information about the IA82050 including functional and I/O descriptions, electrical characteristics and applicable timing.

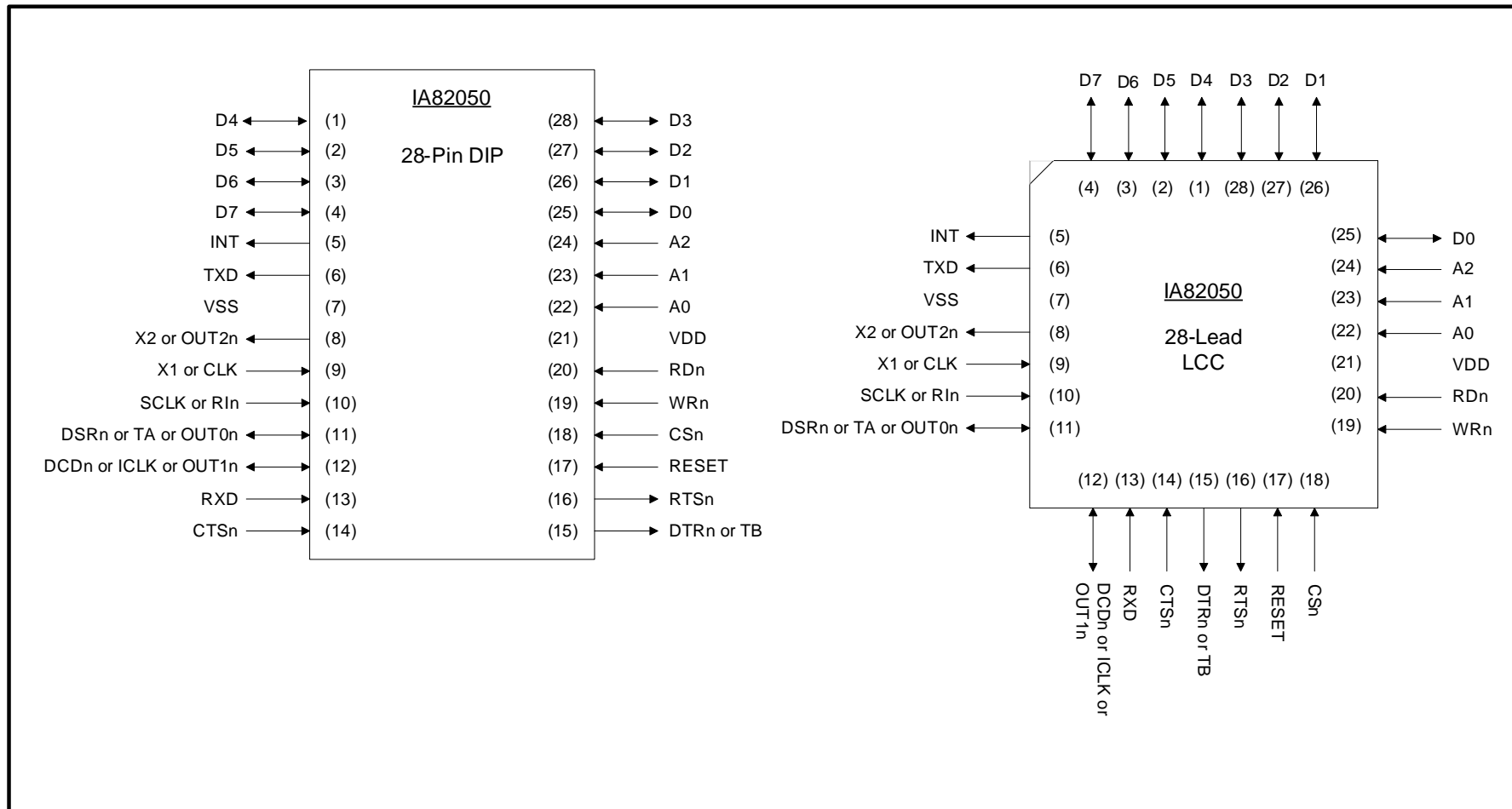


Figure 1. Package Pinout

## 2. Description

The IA82050 is an asynchronous serial controller that provides a CPU interface to one transmit and one receive channel. It is form, fit, and function compatible with the Intel® 82050 and 82510. Configuration registers are used to control the serial channel, interrupts, and modes of operation. The CPU controls this device via address and data lines with read/write control. The CPU also uses this interface to read and write data to receive and transmit data through the serial channel. FIFOs and various serial modes can be used to help off-load the CPU from transmitting and receiving data. An interrupt line provides an indication to the CPU that the device requires servicing. The device can be configured for 8250A/16450 compatibility. See Figure 2, Functional Block Diagram.

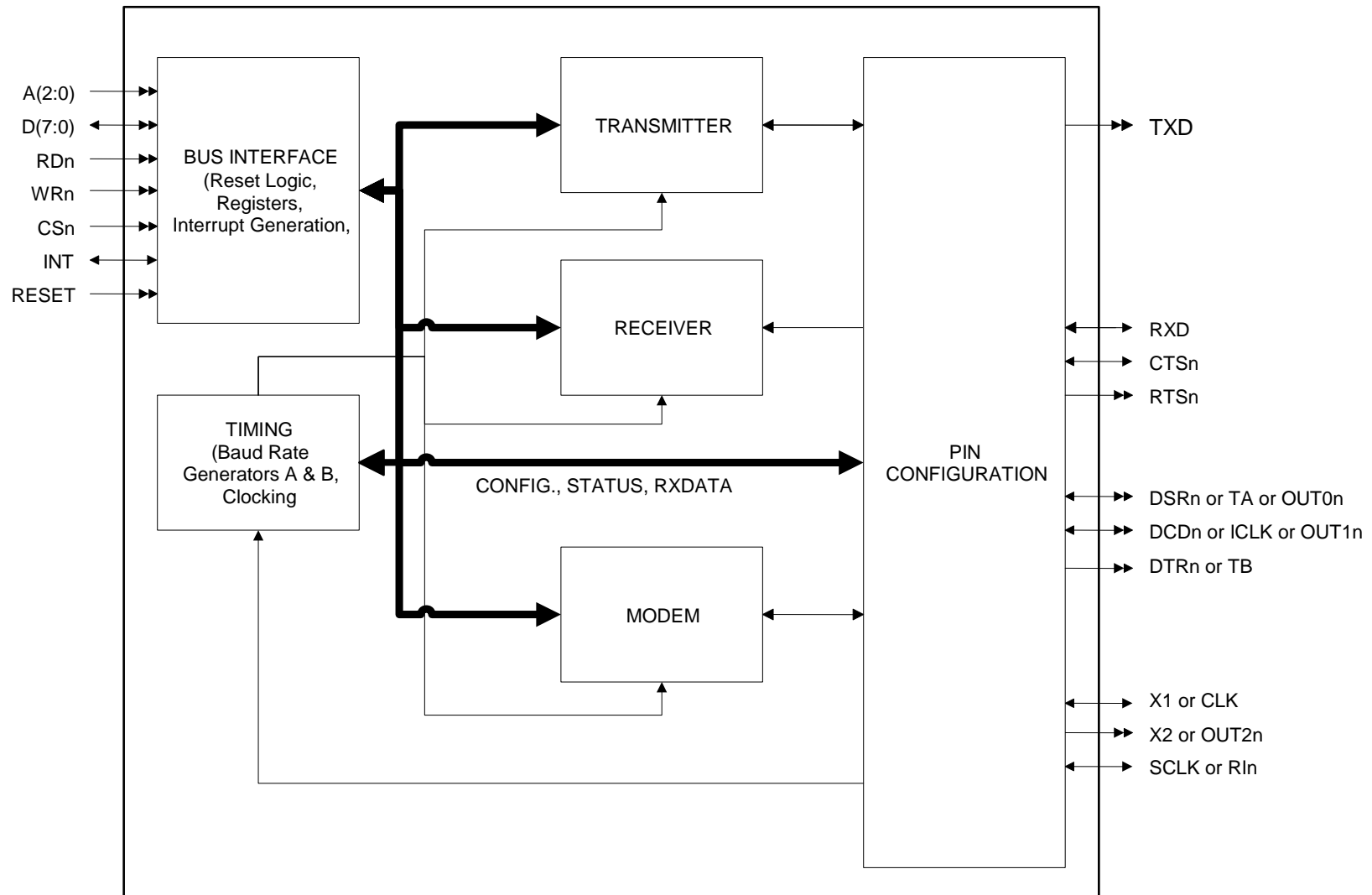


Figure 2. Functional Block Diagram



## 3. Functional Overview

### 3.1 Transmitter

The Transmit function consists of a one-character FIFO, and a Transmit Engine. The transmit engine is responsible for reading the data out of the FIFO and placing it in the proper order on the TXD pin. The transmit engine is highly configurable to be compatible with numerous formats, including 16450 and 8250 modes of communication. Transmit Communication parameters that can be programmed include:

- Parity modes
- Stop Bits
- Character Length

For more details, see [Chapter 5, Register Descriptions](#).

### 3.2 Receiver

The Receiver function consists of a one-character FIFO and a receive engine. The receive engine is responsible for sampling the data on the RXD input pin, formatting the data, and placing the data in the FIFO. The receive engine is highly configurable with parameters that include:

- Parity modes
- Stop Bits
- Character Length

For more details, see [Chapter 5, Register Descriptions](#).

### 3.3 Bus Interface

The Bus Interface is a simple interface that allows a micro-processor or micro-controller to read and write the IA82050 Registers. It consists of the following I/O lines:

- A0, A1, A2 : 3-Bit Address
- D0-D7 : 8-Bit Data
- RDn: Active Low Read Enable
- WRn: Active Low Write Enable
- CSn: Active Low Chip Select
- INT: Interrupt Output
- RESET: Chip Reset

### 3.4 Register Description

Table 1 presents the register summary.

**Table 1. Register Summary**

| Register | ADDR | DLAB | Mode | Default  |
|----------|------|------|------|----------|
| BAH      | 001  | 1    | R/W  | 00000000 |
| BAL      | 000  | 1    | R/W  | 00000010 |
| GER      | 001  | 0    | R/W  | 00000000 |
| GIR      | 010  | X    | R    | 00000001 |
| LCR      | 011  | X    | R/W  | 00000000 |
| LSR      | 101  | X    | R/W  | 01100000 |
| MCR      | 100  | X    | R/W  | 00000000 |
| MSR      | 110  | X    | R/W  | 00000000 |
| RXDATA   | 000  | 0    | R    | Unknown  |
| SCR      | 111  | X    | R/W  | 00000000 |
| TXDATA   | 000  | 0    | W    | N/A      |

## 4. Register Descriptions

### 4.1 Baud Rate Generator A Divide Count, MSB and LSB (BAH/BAL)

Baud Rate Generator A Divide Count (MSB and LSB) – When generating TXCLK or RXCLK, the selected source clock will be divided by this value (ADDR 001/000, Mode R/W, Default 00000000/00000010).

### 4.2 General Interrupt Enable Register (GER)

Enables the general categories of interrupts when generating INT (ADDR 001, Mode R/W, Default 00000000).

**Table 2. General Interrupt Enable Register**

| Bit 7 | Bit 6 | Bit 5 | Bit 4 | Bit 3 | Bit 2 | Bit 1 | Bit 0 |
|-------|-------|-------|-------|-------|-------|-------|-------|
| 0     | 0     | 0     | 0     | MIE   | RXIE  | TFIE  | RFIE  |

MIE Modem Interrupt Enable, 1=Enabled, 0=Disabled  
 RXIE Receive Interrupt Enable, 1=Enabled, 0=Disabled  
 TFIE Transmit FIFO Interrupt Enable, 1=Enabled, 0=Disabled  
 RFIE Receive FIFO Interrupt Enable, 1=Enabled, 0=Disabled

### 4.3 General Interrupt Register (GIR)

Read-only interrupt register containing priority encoded enabled interrupt vector and interrupt pending flag. Writes to this register only affect Bank Pointer bits (ADDR 010, Mode R, Default 00000001).

**Table 3. General Interrupt Register**

| Bit 7 | Bit 6 | Bit 5 | Bit 4 | Bit 3 | Bit 2 | Bit 1 | Bit 0 |
|-------|-------|-------|-------|-------|-------|-------|-------|
| 0     | BANK1 | BANK0 | 0     | 0     | BI1   | BI0   | IPN   |

BANK1, BANK0 – Bank Pointer – not used in IA82050, user must ensure these bits are never written  
 BI1, BI0 – Interrupt Vector  
     11=Receive Interrupt (highest priority)  
     10=Receive FIFO Interrupt  
     01=Transmit FIFO Interrupt  
     00=Modem Interrupt (lowest priority)  
 IPN – Interrupt Pending (1=no interrupt pending, 0=interrupt pending)

### 4.4 Line Configure Register (LCR)

Defines configuration of serial message (ADDR 011, Mode R/W, Default 00000000).

**Table 4. Line Configure Register**

| Bit 7 | Bit 6 | Bit 5 | Bit 4 | Bit 3 | Bit 2 | Bit 1 | Bit 0 |
|-------|-------|-------|-------|-------|-------|-------|-------|
| DLAB  | SBK   | PM2   | PM1   | PM0   | SBL0  | CL1   | CL0   |

DLAB – Divisor Latch Access Bit (see Register Summary table)

SBK – Set Break (0=normal TXD operation, 1=TXD held low – break condition)

PM2, PM1, PM0 – Parity Mode

XX0=No Parity

001=Odd Parity

011=Even Parity

101=High Parity

111=Low Parity

SBL0 – Stop Bit Length

0 = 1 stop bit

1 = 2 stop

CL1, CL0 – Character Length

00=5 Bits

01=6 Bits

10=7 Bits

11=8 Bits

#### 4.5 Line Status Register (LSR)

Reports status of serial link (compatible with 8250). BKD, FE, PE, and OE are cleared when read. Writing a zero to RFIR acknowledges the interrupt (ADDR 101, Mode R/W, Default 01100000).

**Table 5. Line Status Register**

| Bit 7 | Bit 6 | Bit 5 | Bit 4 | Bit 3 | Bit 2 | Bit 1 | Bit 0 |
|-------|-------|-------|-------|-------|-------|-------|-------|
| 0     | TXST  | TFST  | BKD   | FE    | PE    | OE    | RFIR  |

TXST Transmitter Status (1=TX idle or disabled, 0=TX busy)

TFST Transmit FIFO Status (1=TX FIFO empty, 0=full)

BKD Break Detected (1=break detected, 0=no break detected)

FE Framing Error (1=framing error, 0=no framing error)

PE Parity Error (1=parity error, 0=no parity error)

OE Overrun Error (1=overrun error, 0=no overrun error)

RFIR Receive FIFO Interrupt Request (1=RX FIFO full, 0=empty)

#### 4.6 Modem Control Register (MCR)

Drives the general purpose outputs that may be used as modem control discretes. (ADDR 100, Mode R/W;W, Default 00000000)

**Table 6. Modem Control Register**

| Bit 7 | Bit 6 | Bit 5 | Bit 4 | Bit 3 | Bit 2 | Bit 1 | Bit 0 |
|-------|-------|-------|-------|-------|-------|-------|-------|
| 0     | 0     | 0     | LC    | OUT2  | OUT1  | RTS   | DTR   |

LC Loopback Control (0=normal operation, 1=loopback mode)  
 OUT2 Output 2 State (1=OUT2N low, 0=OUT2N high)  
 OUT1 Output 1 State (1=OUT1N low, 0=OUT1N high)  
 RTS Ready To Send State (1=RTSN low, 0=RTSN high)  
 DTR Data Terminal Ready State (1=DTRN low, 0=DTRN high)

#### 4.7 Modem Status Register (MSR)

Reports status of modem input pins DCDN, RIN, DSRN and CTSN. All but CTSN must be enabled via the PMD register. The “delta” bits are cleared on a read. (ADDR 110, Mode R/W;R, Default 00000000).

**Table 7. Modem Status Register**

| Bit 7 | Bit 6 | Bit 5 | Bit 4 | Bit 3 | Bit 2 | Bit 1 | Bit 0 |
|-------|-------|-------|-------|-------|-------|-------|-------|
| DCDC  | RIC   | DSRC  | CTSC  | DDCD  | DRI   | DDSR  | DCTS  |

DCDC DCDN Complement (1=DCDN low, 0=DCDN high)  
 RIC RIN Complement (1=RIN low, 0=RIN high)  
 DSRC DSRN Complement (1=DSRN low, 0=DSRN high)  
 CTSC CTSN Complement (1=CTSN low, 0=CTSN high)  
 DDCD Delta DCDN (1=DCDN changed since last read, 0=no change)  
 DRI Delta RIN (1=RIN transitioned low since last read, 0=no change or transition high)  
 DDSR Delta DSRN (1=DSRN changed since last read, 0=no change)  
 DCTS Delta CTSN (1=CTSN changed since last read, 0=no change)

#### 4.8 Receive Data Register (RXDATA)

(ADDR 000, Mode R, Default Unknown)

Receive Data - A read from this location removes the data receive byte from the RX FIFO. The LSB of RXDATA will correspond to the first bit received after the start bit of the serial character. The MSB will correspond to the eighth data bit received after the start bit. If the character length (LCR\_CL) is less than eight, the unused RXDATA bits will be zero.

A read from RXDATA will be directly from the RX FIFO.

#### 4.9 Scratch Register (SCR)

(ADDR 111, Mode R/W, Default 00000000)

General purpose scratch pad register to be defined by user.

#### 4.10 Transmit Data Register (TXDATA)

(ADDR 000, Mode W, Default N/A)

Transmit Data - A write to this location adds a data byte to the TX FIFO, and initiates the transmit sequence.

## 5. AC/DC Parameters

Table 8. AC/DC Parameters

| Parameters                     | Absolute Maximum Ratings          |
|--------------------------------|-----------------------------------|
| Supply voltage, $V_{DD}$       | -0.3V to +6.0V                    |
| Input voltage, $V_{IN}$        | -0.3V to $V_{DD} + 0.3V$          |
| Input pin current, $I_{IN}$    | $\pm 10$ mA, 25° C                |
| Operating temperature range    | -40° C to +85° C                  |
| Ambient temperature under bias | -40° C to +85° C *                |
| Storage temperature            | - 55° C to +150° C                |
| Lead temperature               | +300° C, 10 sec.                  |
| Power dissipation              | 155 mW, 125° C, 25MHz, 15% Toggle |

*Caution: Stresses beyond those listed under “absolute maximum ratings” may cause permanent damage to the device. Operating the device beyond the conditions indicated in the “recommended operating conditions” section is not recommended. Operation at the “absolute maximum ratings” may adversely affect device reliability.*

- \* The input and output parametric values in section VII-B, parts 1, 2 and 3, are directly related to ambient temperature and DC supply voltage. A temperature or supply voltage range other than those specified in the operating conditions above will affect these values, making invalidating Innovasic’s guarantee of part performance.

## 6. DC Characteristics

Table 9. DC Characteristics

| Symbol     | Parameter                    | Notes   | Min   | Max         | Unit    |
|------------|------------------------------|---------|-------|-------------|---------|
| $V_{IL}$   | Input Low Voltage            | (1)     | -0.5  | 0.3         | V       |
| $V_{IH1}$  | Input High Voltage-Cerdip    | (1)     | 2.1   | $V_{DD}+.3$ | V       |
| $V_{IH2}$  | Input High Voltage-LCC       | (2)     | 2.1   | $V_{DD}+.3$ | V       |
| $V_{OL}$   | Output Low Voltage           | (2),(8) |       | 0.4         | V       |
| $V_{OH}$   | Output High Voltage          | (3),(8) | 2.4   |             | V       |
| $I_{LI}$   | Input Leakage Current        | (4)     |       | $\pm 1$     | $\mu A$ |
| $I_{LO}$   | 3-State Leakage Current      | (5)     |       | $\pm 10$    | $\mu A$ |
| $I_{CC}$   | Power Supply Current         | (6)     |       | 1.12        | mA/MHz  |
| $I_{PU}$   | Strapping Pullup Resistor    | (12)    | -28.3 | -137        | $\mu A$ |
| $I_{STBY}$ | Standby Supply Current       | (9)     |       | 100         | $\mu A$ |
| $I_{OHR}$  | RTSn, DTRn Strapping Current | (10)    |       | 1.92        | mA      |
| $I_{OLR}$  | RTSn, DTRn Strapping Current | (11)    | N/A   |             | mA      |
| $C_{IN}$   | Input Capacitance            | (7)     |       | 5           | pF      |
| $C_{IO}$   | I/O Capacitance              | (7)     |       | 6           | pF      |
| $C_{XTAL}$ | X1, X2 Load                  |         |       | 6           | pF      |

Notes:

- Does not apply to CLK/X1 pin, when configured as crystal oscillator input (X1).
- @IOL = 1.92 mA
- @IOH = 1.92 mA
- $0 < V_{IN} < V_{CC}$
- $0.4V < V_{OUT} < V_{CC} - 0.4V$
- $V_{DD} = 5.5V$ ,  $V_{IL} = 0.7V$  (max),  $V_{IH} = V_{DD} - 0.7V$  (min), Typ. Val = 1.12 mA/MHz (Not Tested), Ext. 1X CLK, IOL = IOH = 0
- Freq. = 1 MHz
- Does not apply to OUT2/X2 pin, when configured as crystal oscillator output (X2).
- Freq. = 1 MHz, but input clock not running. Static IDD current is exclusive of input/output drive requirements and is measured with the clocks stopped and all inputs tied to VDD or VSS, configured to draw minimum current.
- Applies only during hardware reset for clock configuration options. Strapping current for logic HIGH.
- Applies only during hardware reset for clock configuration options. Strapping current for logic LOW.
- Inputs (RTSn, DTRn, TB) with Pullups tested @  $V_{in} = 0.0V$ ,  $V_{DD} = 5.5V$



## 7. AC Characteristics

Table 10. AC Characteristics

| Parameter                               | Min                      | Max                  | Notes   |
|---|--------------------------|----------------------|---|
| CLK period                              | 54 ns                    | 250 ns               | Divide by Two   |
| CLK period                              | 54 ns                    | 108 ns               | No Divide by  |
| CLK Low Time                            | 25 ns                    |                      |   |
| CLK High Time                           | 25 ns                    |                      |   |
| CLK Rise Time                           |                          | 10 ns                | Divide by Two<br>Measured between 0.3 * VDD and 0.7 * VDD |
| CLK Fall Time                           |                          | 10 ns                | Divide by Two<br>Measured between 0.3 * VDD and 0.7 * VDD |
| CLK Rise Time                           |                          | 15 ns                | No Divide by  |
| CLK Fall Time                           |                          | 15 ns                | No Divide by  |
| Crystal Frequency                       | 1 Mhz                    | 20 Mhz               |   |
| Reset Width                             | 8 * Clock Period         |                      |   |
| RTS/DTR Low Setup to Reset inactive     | 6 * Clock Period         |                      |   |
| RTS/DTR Low Hold after Reset inactive   |                          | Clock Period – 20 ns |   |
| RDn Active Width                        | 2* clock period + 65 ns  |                      |   |
| Address/CSn Setup Time to RDn Active    | 7 ns                     |                      |   |
| Address/CSn Hold after RDn Inactive     | 0 ns                     |                      |   |
| RDn or WRn Inactive to Active Delay     | Clock Period + 15 ns     |                      |   |
| Data Out Float Delay after RDn Inactive |                          | 40 ns                |   |
| WRn Active Width                        | 2 * Clock Period + 15 ns |                      |   |
| Address CSn Setup Time to WRn Active    | 7 ns                     |                      |   |
| Address and CSn hold Time after WRn     | 0 ns                     |                      |   |
| Data in Setup Time to WRn Inactive      | 90 ns                    |                      |   |
| Data In Hold Time after WRn Inactive    | 12 ns                    |                      |   |
| SCLK Period                             | 216 ns                   |                      | 16x Clocking Mode   |
| SCLK Period                             | 3500 ns                  |                      | 1x Clocking Mode  |
| RXD Setup Time to SCLK High             | 250 ns                   |                      |   |
| RXD Hold Time after SCLK High           | 250 ns                   |                      |   |
| TXD Valid after SCLK Low                |                          | 170 ns               |   |
| TXD Delay after RXD                     |                          | 170 ns               | Remote Loopback   |

## 8. Packaging Information

### 8.1 PDIP Package

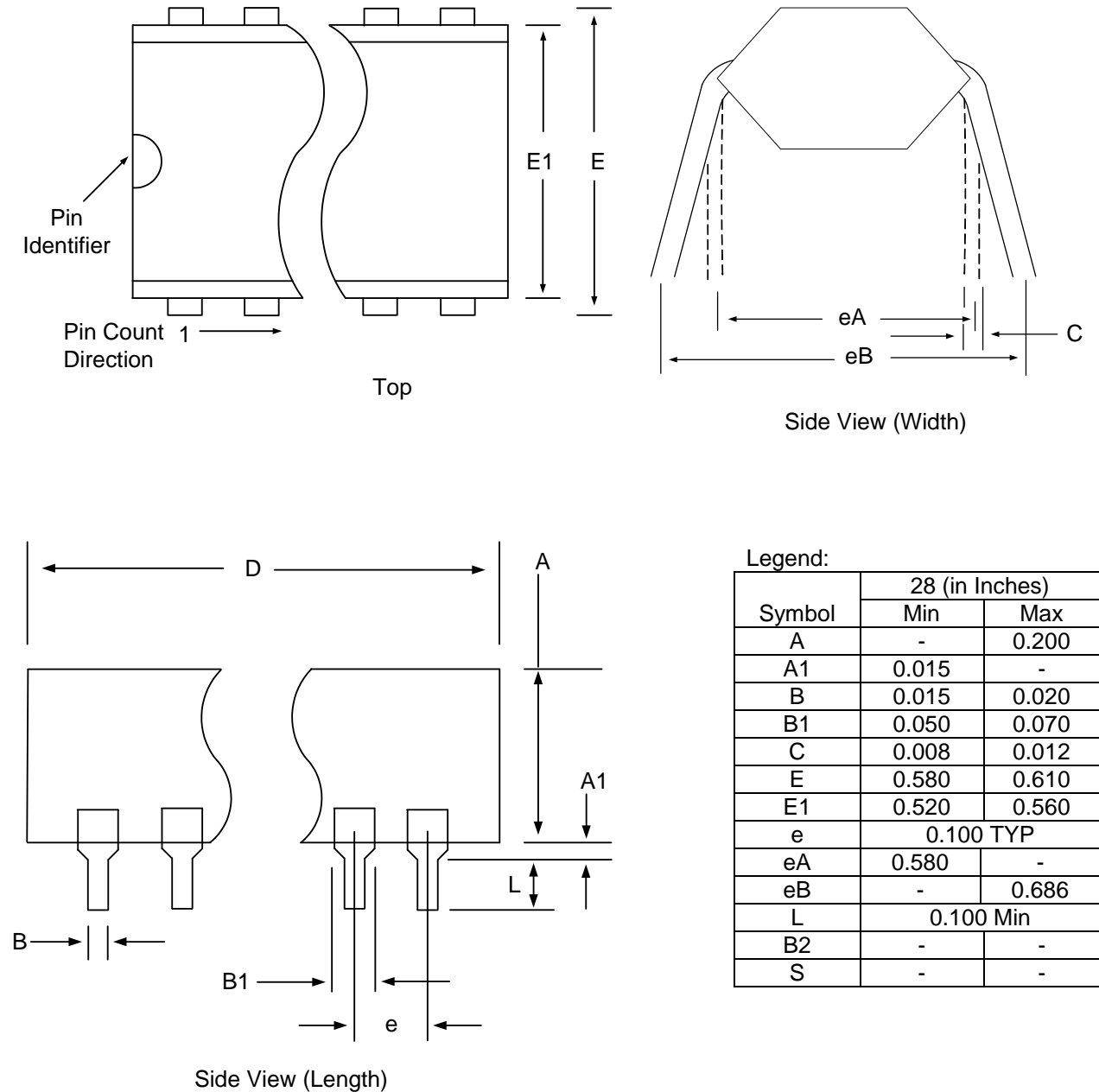


Figure 3. PDW Physical Package Dimensions

## 8.2 PLCC Package

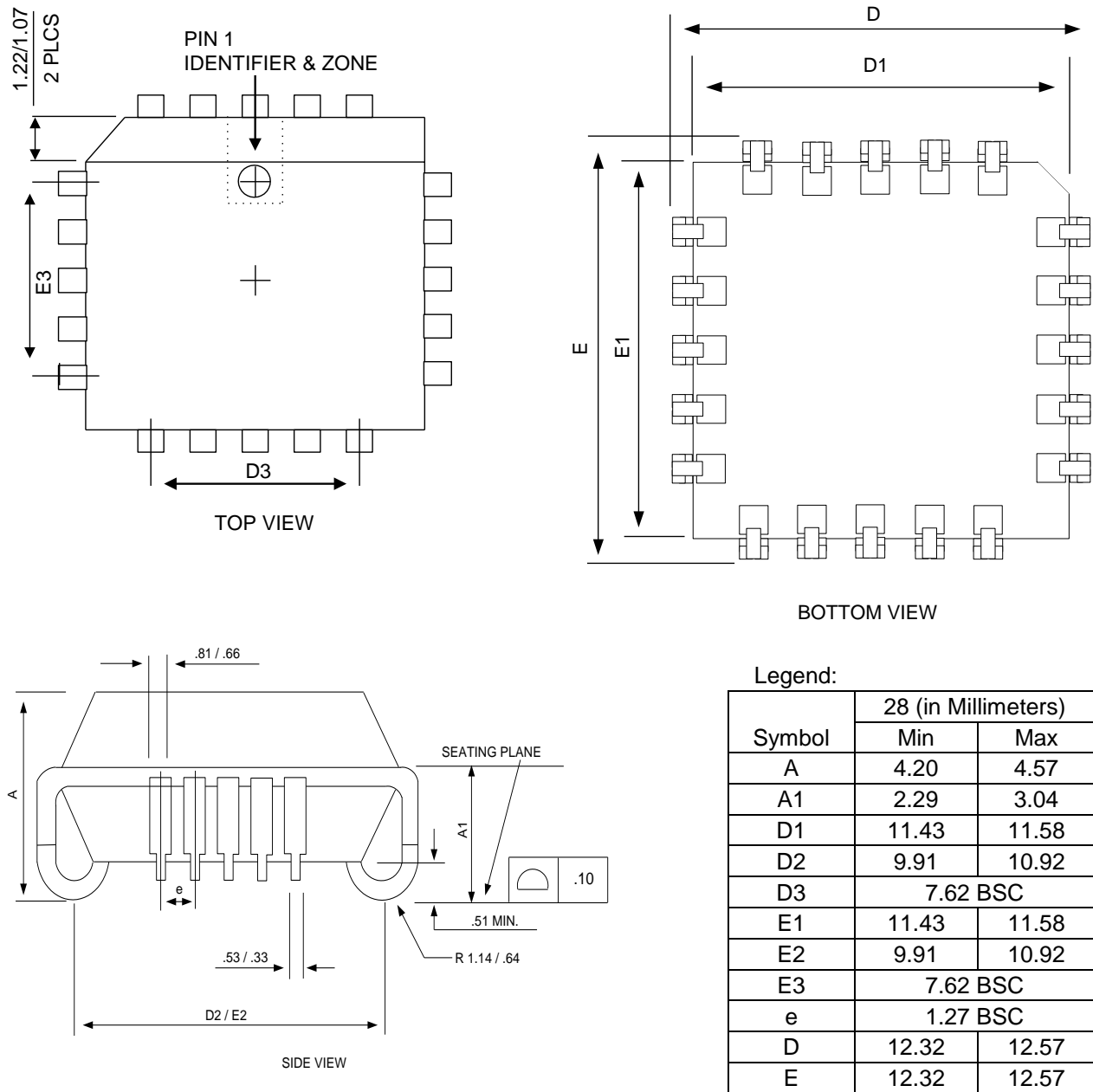


Figure 4. PLCC Physical Package Dimensions

## 9. Innovasic Part Number Cross-Reference

Table 11. Innovasic Part Number Cross-Reference for the PDIP

| Innovasic Part Number                             | Intel Part Number | Package Type   | Temperature Grades |
|---|-------------------|--|--------------------|
| IA82050-PDW28I-R-01<br>lead free (RoHS-compliant) | P82050<br>TP82050 | 28-Pin <u>P</u> lastic <u>D</u> ual <u>I</u> n-Line<br><u>P</u> ackage (PDIP) (600 mils) | Industrial         |

Table 12. Innovasic Part Number Cross-Reference for the PLCC

| Innovasic Part Number                          | Intel Part Number | Package Type  | Temperature Grades |
|--|-------------------|---|--------------------|
| IA82050-PLC28IR2<br>lead free (RoHS-compliant) | N82050<br>TN82050 | 28-Lead <u>P</u> lastic <u>L</u> eaded<br><u>C</u> hip <u>C</u> arrier (PLCC) | Industrial         |

## 10. Revision History

The table below presents the sequence of revisions to document IA211030617.

| Date              | Revision | Description  | Page(s)             |
|-------------------|----------|--|---------------------|
| August 19, 2008   | 06       | Corrected control number and reformatted some elements to meet publication standards.  | NA                  |
| October 15, 2008  | 07       | Corrected part number on cover page, enlarged package pinout and functional block diagram figures, corrected trademark references (p. 2), changed "pin" to "lead" in LCC package pinout figure, changed "lead" to "pin" in PDIP physical page dimensions figure and part number table, formatted part cross-reference table to meet publication standards, added "For Additional Information" chapter. | 1, 5, 6, 17, 18, 20 |
| February 25, 2011 | 08       | Removed packaging options to support the elimination of SnPb lead plating options.   | 20                  |

## 11. For Additional Information

The IA82050 is a "plug-and-play" drop-in replacement for the original IC. This data sheet documents all necessary engineering information about the IA82050 including functional and I/O descriptions, electrical characteristics and applicable timing.

The Innovasic Support Team wants our information to be complete, accurate, useful, and easy to understand. Please feel free to contact our experts at Innovasic at any time with suggestions, comments, or questions.

Innovasic Support Team  
3737 Princeton NE  
Suite 130  
Albuquerque, NM 87107

(505) 883-5263  
Fax: (505) 883-5477  
Toll Free: (888) 824-4184  
E-mail: [support@innovasic.com](mailto:support@innovasic.com)  
Website: [www.Innovasic.com](http://www.Innovasic.com)